

| | | | | |
|-------|---------------|------|-----------|---------|
| RevNo | Revision note | Date | Signature | Checked |
|-------|---------------|------|-----------|---------|

A

A

B

B

C

C

D

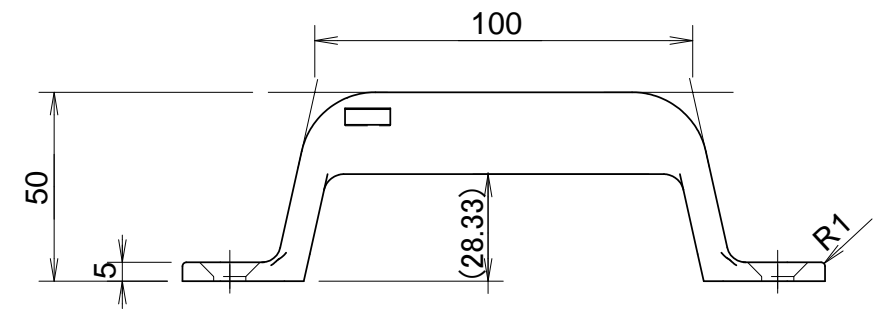
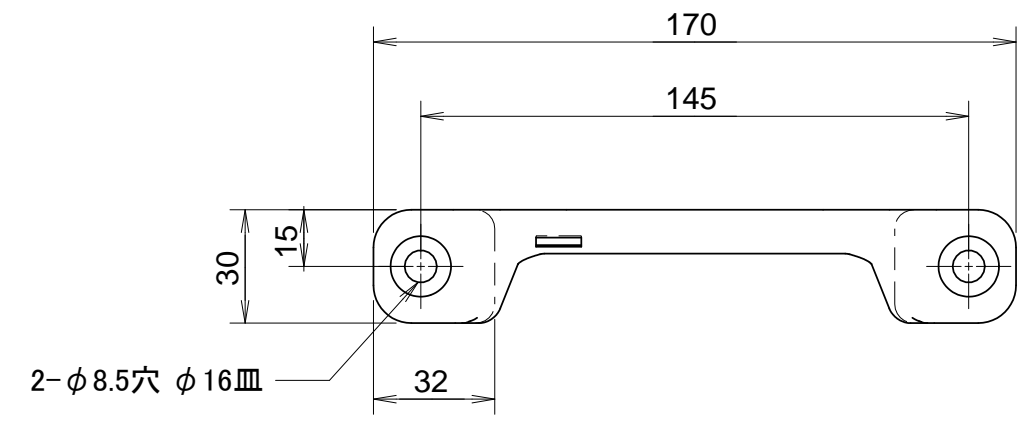
D

E

E

F

F



材質: SUS316
表面処理: Polish

| | | | | | |
|--------------------------------------|------------|--|-----------------------|---------|--------------|
| Itemref | Quantity | Title/Name, designation, material, dimension etc | Article No./Reference | | |
| Drawn by | Checked by | Approved by - date | File name | Date | Scale 1/2 |
| Tsumori Gokin Co.,Ltd 株式会社津守合金製作所 | | | トランサムハンドル | | |
| | | | TA5-3360-00 | Edition | Sheet |